

WARNING: Device might be connected to earth through the PC. Care has to be taken when debugging with Class I (earthed) measurement equipment to avoid damage to the device and USB port.

Future revisions:

* C6, C7: change to 27pF

* J1: remove shield from GND

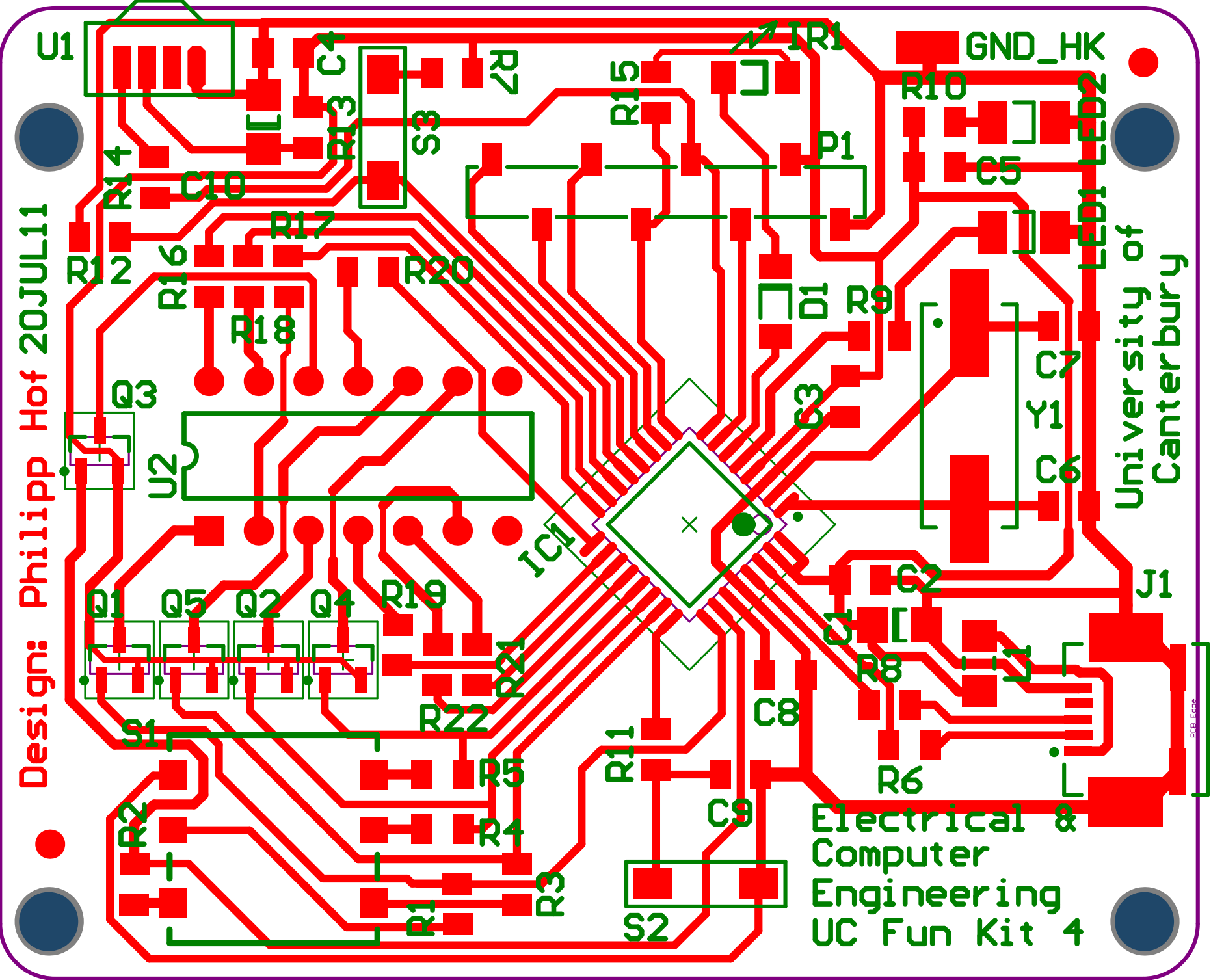
Change non-conforming IEEE-315 designators:

* IC -> U, IR/LED -> DS (see 11.1.1B), P -> J, (GND_HK)

Title UCFK4		University of Canterbury Electrical and Computer Eng Philipp Hof	
Size: A4	Number: 2	Revision: 24JAN11-A	
Date: 20/07/2011	Time: 2:26:10 p.m.	Sheet 1 of 1	
File: J:\Designs\PCB\Altium\prj10\ATMEGA8U2\V03_matrix\V03_03\UCFK4V03_03.SchDoc			



Design: Philipp Hof 20JUL11



University of
Canterbury

Electrical &
Computer
Engineering
UC Fun Kit 4

PCB Edge